



# DYA

Variable Volume Flow Rate Controller

## Description

The DYA (Variable Air Volume) units are designed for regulating the air flow at a fixed or within set maximum and minimum limits. They are used for supply and extract systems.

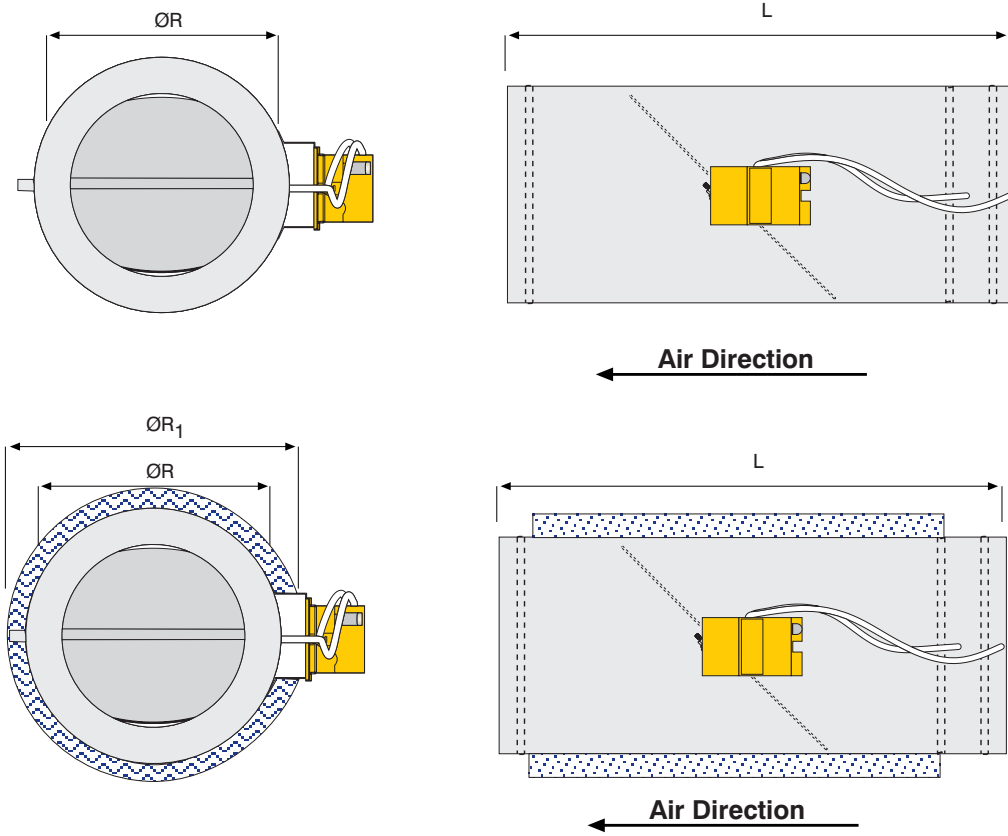
## Properties

DYA units are manufactured as circular cross-sections. They are composed of a volume damper, a damper motor and a flow sensing unit which is incorporated within the motor housing. The complete unit is shipped as calibrated in the factory, to the required values.

## Materials

The casing is manufactured of galvanized steel sheet. The damper blade has a peripheral felt gasket to provide good isolation. The thermal insulation is made of 50 mm thick glasswool and covered by galvanized steel sheets.

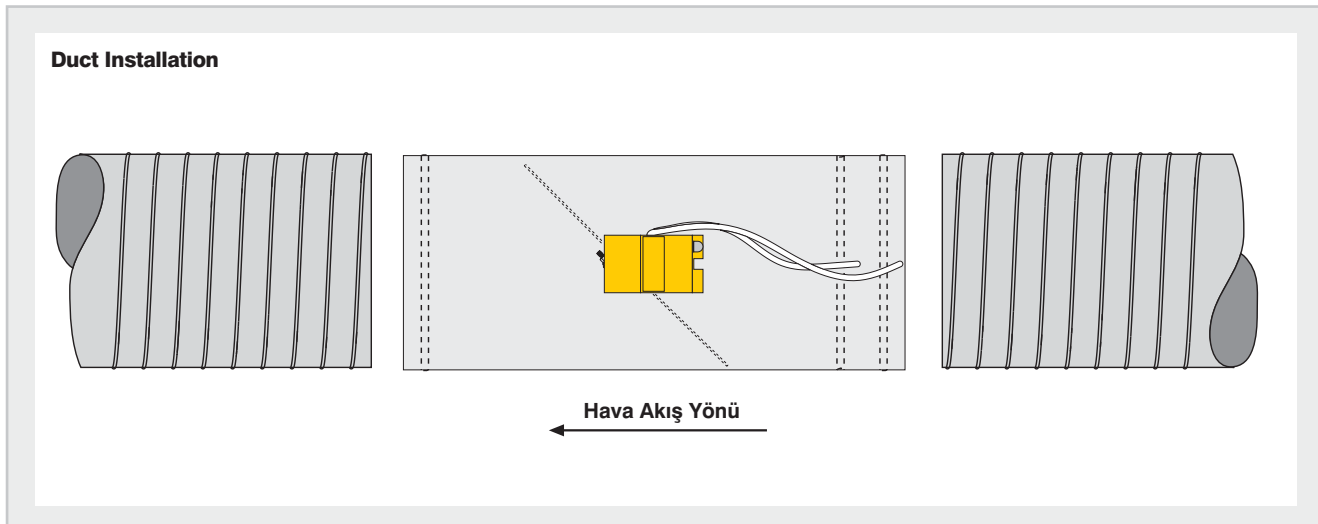
Dimensions



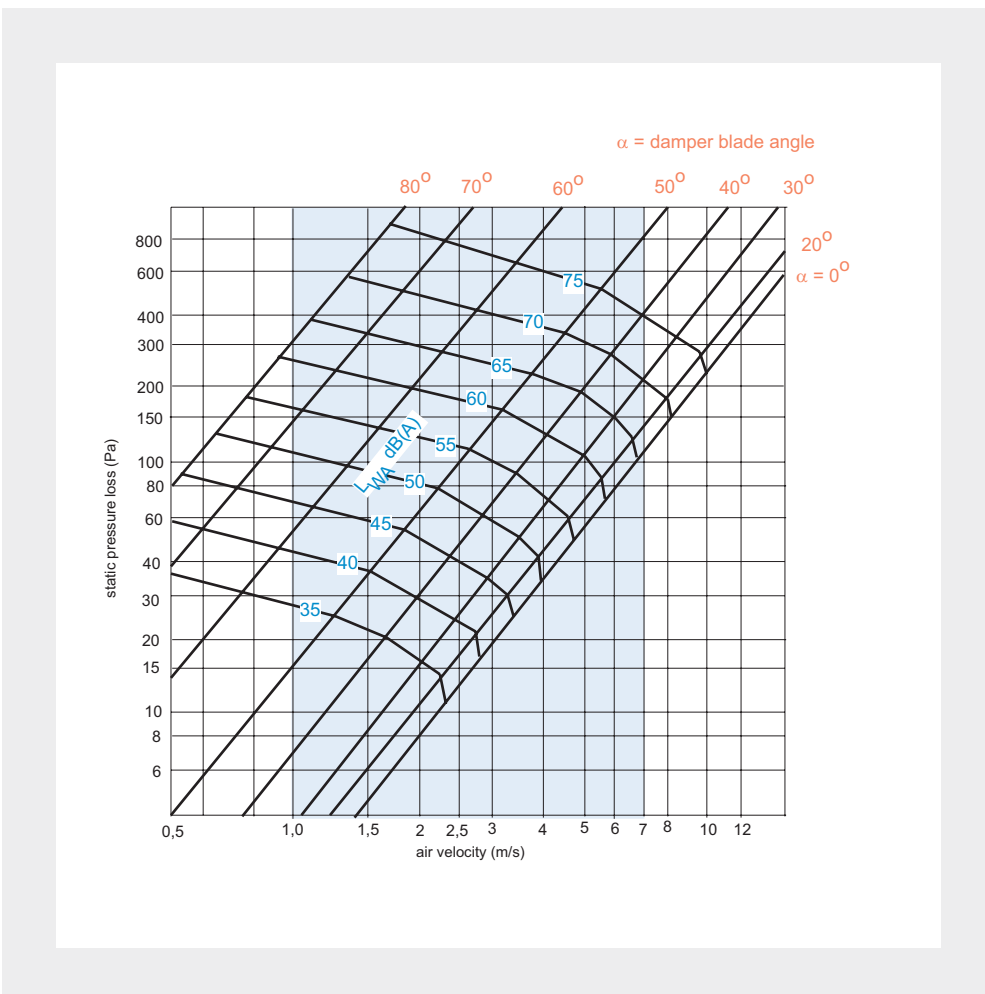
Standard Dimensions

Size (ØR)	L (mm)	Flow Rate m <sup>3</sup> /h	(ØR1)
199	500	200 - 600	299
249	500	280 - 840	349
299	600	430 - 1290	399
349	600	600 - 1800	449
399	700	850 - 2550	499
449	700	1200 - 3600	549
499	850	1700 - 5100	599
599	850	2400 - 7200	699

Installation



Technical Data



### Technical Specification

Variable air volume unit, designed for usage in supply and extract systems. The unit will be of circular cross-section and made of galvanized steel sheets. The unit will be suitable for use up to 1000 Pa duct pressures, and be manufactured in various sizes to serve within a flow rate range of 200 – 7200 m<sup>3</sup>/h; and be calibrated in the factory, to the required values, before shipment. The blade will have a peripheral felt gasket to provide good isolation. The unit will have both ends of the

casing, suitable for installation with norm round ducts. Optionally, a thermal insulation, made of 50 mm thick glasswool and covered by 1 mm thick galvanized steel sheet will be cladded around the unit.

### Order Code

<b>Model</b>	<b>DYA.00.MA.00-300</b>	
<b>Frame</b>	00...Without Flange	ØE (mm) Refer to Page 3
<b>Motor</b>	MA... With Servomotor	
<b>Insulation</b>	00...Without Insulation 10...With Insulation	<b>Standard Dimensions</b>

**D**

**DYA**

## Variable Volume Flow Rate Controller

**KES KLİMA**  
INDUSTRIAL AND TRADE CO.

Uzay Çağı Caddesi No:10  
06370 Östim/ANKARA  
Phone:+90.312.385 76 57  
Fax :+90.312.354 12 31  
[www.kesklima.com](http://www.kesklima.com)



TÜV Rheinland Group



DIN EN ISO 9001:2000  
Zertifikat: 01 100 042854